

**ESTUN**



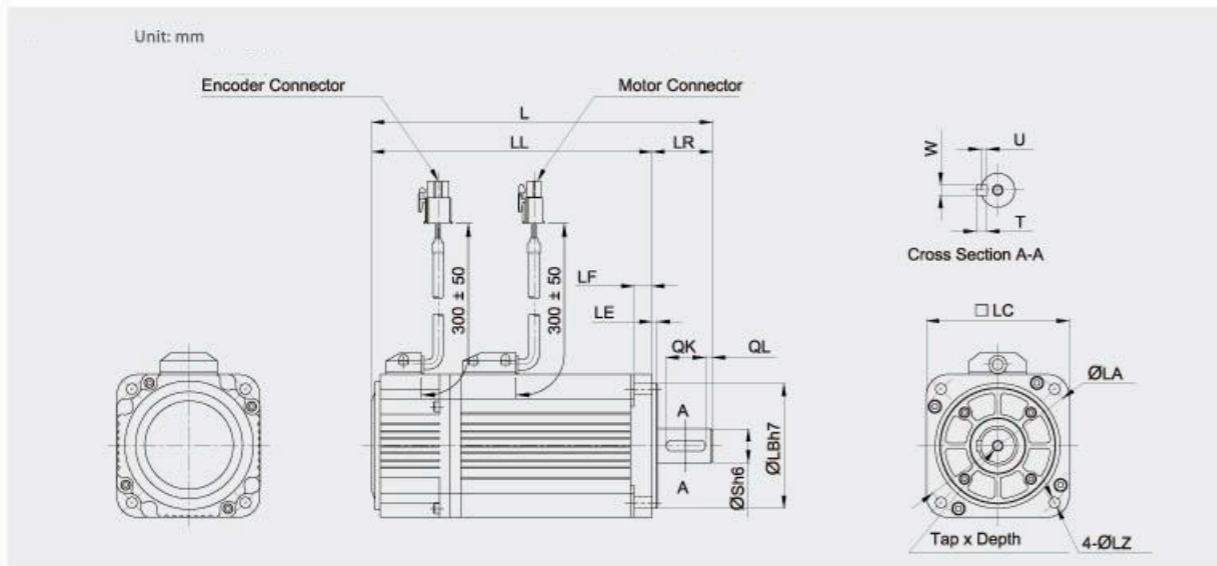
# EDB / EDC

200W 300W 400W 500W 600W 700W 800W 900W 1000W 1200W 1500W 2000W 2500W 3000W 4000W 5000W 6000W 8000W 10000W

All Digital AC Servo



Dimension



Model EMJ-	L	LL	Flange Side							S	Tap x Depth	Key				
			LR	LE	LF	LC	LA	LB	LZ			QK	QL	W	T	U
02APA□□	153(193)	123(163)	30	3	6	60	70	50	5.5	14	M5×10L	16	4	5	5	3
04APA□□	183(223)	153(193)	30	3	6	60	70	50	5.5	14	M5×10L	16	4	5	5	3
08APA□□	191(234)	156(199)	35	3	9	80	90	70	6	19	M6×15L	22	4	6	6	3.5
10APA□□	211(254)	176(219)	35	3	9	80	90	70	6	19	M6×15L	22	4	6	6	3.5

(Notes) The dimension in parentheses are for servomotors with holding brakes.



Motor Connector Specification

- Plug: 172167-1(AMP)
- Pin: 170360-1(AMP)

Pin No.	Signal	Color
1	U	Red
2	V	Blue
3	W	White
4	FG	Green/Yellow



Encoder Connector Specification

- Plug: 172169-1(AMP)
- Pin: 170359-3(AMP)

Incremental Encoder

Pin No.	Signal	Color
1	A+	Blue
2	B+	Green
3	C+	Yellow
4	A-	Blue/Black
5	B-	Green/Black
6	C-	Yellow/Black
7	PG5V	Red
8	PG0V	Black
9	FG	Shield



Brake Connector Specifications

- Plug: 172165-1(AMP)
- Pin: 170360-1(AMP)

Pin No.	Signal	Color
1	B1	Blue
2	B2	White

EMG

Model Servomotor

Features

- Be used to drive the feed shaft of various machinery.
- Various products (1.0kW~5.0kW, with brake, etc.)
- Equipped with wire-saving encoder (2500P/R)
- Standard configuration is IP65.

Application

- Machine tools
- Handling machinery
- Foodstuff processing machinery
- Textile machinery



Specification Description

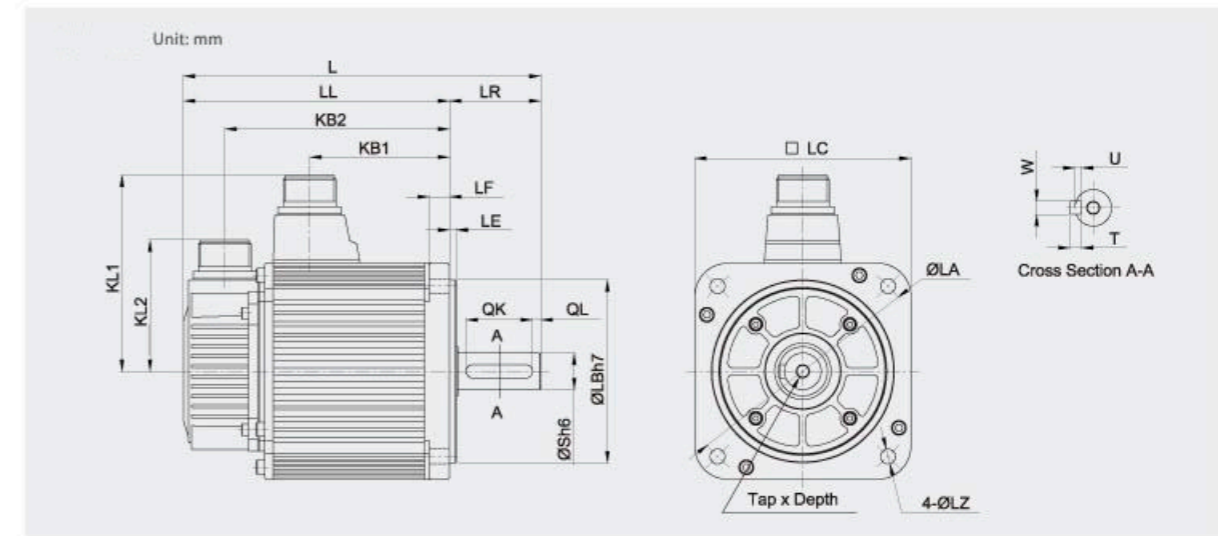
EMG Model Servo Drive	Rated Output Power	Power Voltage	Encoder	Designing Sequence	Shaft End	Option Parts
<b>EMG-10 A P A 1 1</b>	Sign Spec. 10 1.0kW 15 1.5kW 20 2.0kW 30 3.0kW 50 5.0kW	Sign Spec. A 200VAC	Sign Spec. P Incremental Wire-saving Type: 2500P/R	Sign spec. A Designing Sequence	Sign Spec. 1 Flat, Without Keys (Standard) 2 Flat, With Keys With Screw Thread	Sign Spec. 1 None 2 With Oil Seal 3 With Brake (DC24V) 4 With Oil Seal, With Brake (DC24V)

## Rated Value and Specification

Voltage		200VAC				
Servomotor Model	EMG-	10APA□□	15APA□□	20APA□□	30APA□□	50APA□□
Rated Output Power	kW	1.0	1.5	2.0	3.0	5.0
Rated Torque	N.m	4.78	7.16	9.55	14.3	23.9
Instantaneous Peak Torque	N.m	14.3	21.5	28.7	43.0	71.6
Rated Current	Arms	6.0	9.0	12.0	18.0	28.0
Instantaneous Max. Current	Arms	18.0	27.0	36.0	54.0	84.0
Rated Speed	r/min	2000				
Max. Speed	r/min	3000				
Rotor Moment of Inertia	X10 <sup>-4</sup> kg·m <sup>2</sup>	10.0 (10.6)	14.5 (15.1)	19.0 (19.6)	41.3 (44.5)	65.7 (68.9)
Brake Rated Voltage		DC24V±10%				
Brake Rated Power	W	19			35	
Brake Holding Torque	N.m	10			40	
Encoder	标准Standard	2500P/R Incremental Encoder: 2500P/R				
Insulation Class		F				
Ambient Temperature		0 to +40°C (No freezing)				
Ambient Humidity		20 to 80% RH (Non-condensing)				
Vibration		24.5m/s <sup>2</sup>				
Enclosure		Totally Enclosed, Self-cooled, IP65 (Except for shaft opening and connectors)				

(Notes) The values in parentheses are for servomotors with holding brakes.

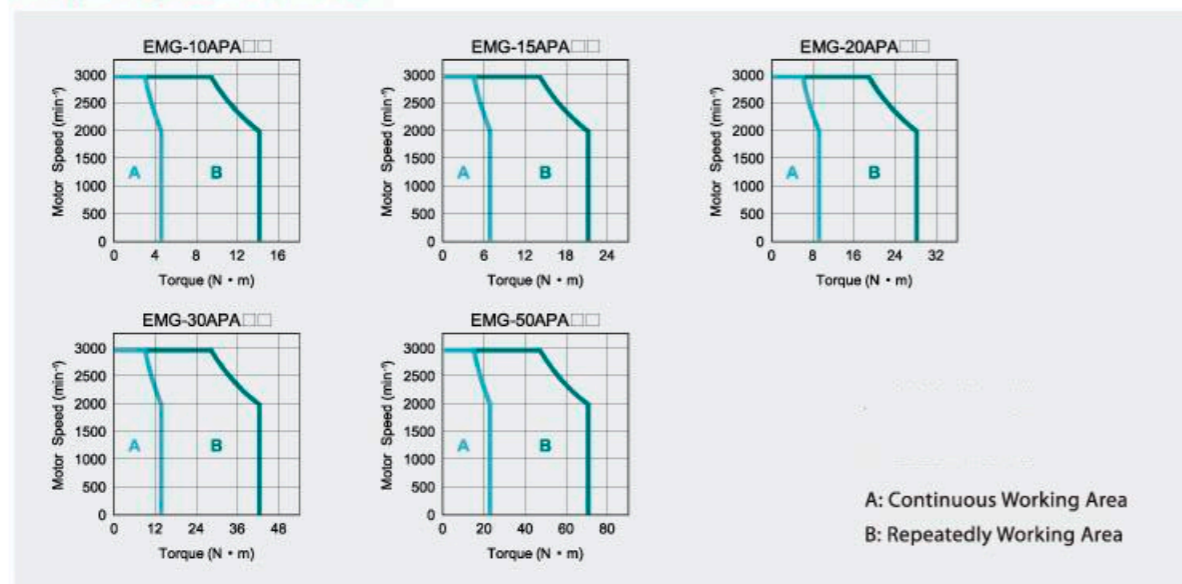
## Dimension



Model EMG-	L	LL	KB1	KB2	KL1	KL2	Flange Side							S	Tap x Depth	Key				
							LR	LE	LF	LC	LA	LB	LZ			QK	QL	W	T	U
10APA□□	215(269.5)	160(214.5)	84	135(189.5)	118	79	55	4	12	130	145	110	9	22	M6x20L	40	5	8	7	4
15APA□□	240(294.5)	185(239.5)	109	160(214.5)	118	79	55	4	12	130	145	110	9	22	M6x20L	40	5	8	7	4
20APA□□	265(319.5)	210(264.5)	134	185(239.5)	118	79	55	4	12	130	145	110	9	22	M6x20L	40	5	8	7	4
30APA□□	307(378)	228(299)	143	203(274)	140	79	79	3.2	18	180	200	114.3	13.5	35	M8x16L	55	6	10	8	5
50APA□□	347(418)	268(339)	183	243(314)	140	79	79	3.2	18	180	200	114.3	13.5	35	M8x16L	55	6	10	8	5

(Notes) The dimension in parentheses are for servomotors with holding brakes.

## Torque-Speed Feature



### Motor Connector Specification

- Receptacle: MS3102A20-4P (LC=130)  
MS3102A22-22P (LC=180)
- Plug: MS3108B20-4S (LC=130)  
MS3108B22-22S (LC=180)
- Cable clamp: MS3057-12A



Pin No.	Signal
A	U
B	V
C	W
D	FG

### Brake Connector Specification

- Receptacle: MS3102A10SL-3P
- Plug: MS3106A10SL-3S
- Cable clamp: MS3057-4A



Pin No.	Signal
A	B1
B	B2
C	-

### Encoder Connector Specification

- Receptacle: MS3102A20-29P
- Plug: MS3108B20-29S
- Cable clamp: MS3057-12A



### Incremental Encoder

Pin No.	Signal	Color
A	A+	Blue
B	A-	Blue/Black
C	B+	Green/Black
D	B-	Green
E	C+	Yellow
F	C-	Yellow/Black
G	PG0V	Black
H	PG5V	Red
J	FG	Shield

# EML

Model Servomotor

## Features

- Be used to drive the feed shaft of various machinery
- Various products (1.0kW~4.0kW, with brake, etc.)
- Equipped with wire-saving encoder (2500P/R)
- Standard configuration is IP65.

## Application

- Machine tools
- Handling machinery
- Foodstuff processing machinery
- Textile machinery



## Specification Description

# EML-10 A P A 1 1

EML Model Servo Drive

Rated Output Power

Power Voltage

Encoder

Designing Sequence

Shaft End

Option Parts

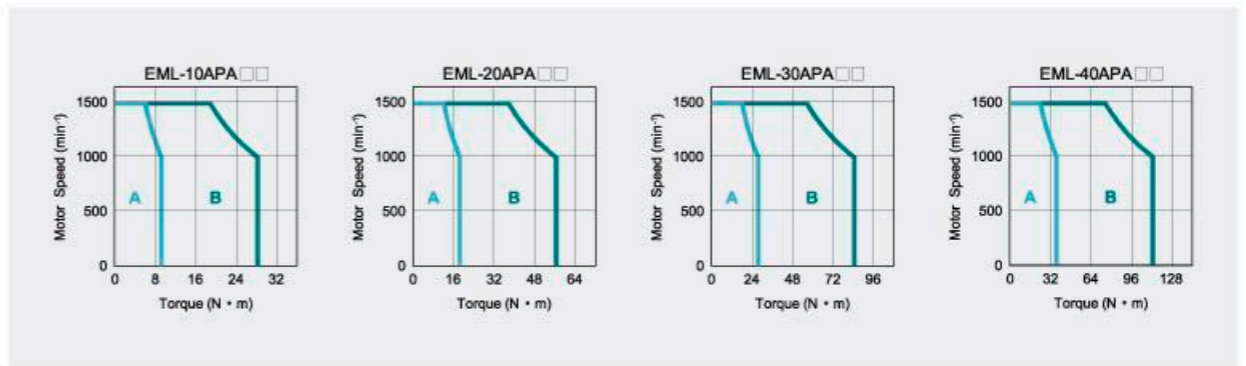
Sign	Spec.	Sign	Spec.	Sign	Spec.	Sign	Spec.	Sign	Spec.	Sign	Spec.
10	1.0kW	A	200VAC	P	Incremental Wire-saving Type: 2500P/R	A	Designing Sequence	1	Flat, Without Keys (Standard)	1	None
20	2.0kW							2	Flat, With Keys With Screw Thread	2	With Oil Seal
30	3.0kW							3	With Brake (DC24V)	3	With Brake (DC24V)
40	4.0kW							4	With Oil Seal, With Brake (DC24V)	4	With Oil Seal, With Brake (DC24V)

## Rated Value and Specification

Voltage		200VAC			
Servomotor Model	EML-	10APA□□	20APA□□	30APA□□	40APA□□
Rated Output Power	kW	1.0	2.0	3.0	4.0
Rated Torque	N.m	9.55	19.1	28.7	38.2
Instantaneous Peak Torque	N.m	28.7	57.3	86.0	114.6
Rated Current	Arms	6.0	12.0	18.0	24.0
Instantaneous Max. Current	Arms	18.0	36.0	54.0	72.0
Rated Speed	r/min	1000			
Max. Speed	r/min	1500			
Rotor Moment of Inertia	X10 <sup>-4</sup> kg·m <sup>2</sup>	19.0 (19.6)	53.5 (56.7)	77.8 (81.0)	102.2 (105.4)
Brake Rated Voltage		DC24V±10%			
Brake Rated Power	W	19	35		
Brake Holding Torque	N.m	10	40		
Encoder	标准Standard	2500P/R Incremental Encoder: 2500P/R			
Insulation Class		F			
Ambient Temperature		0 to +40°C (no freezing)			
Ambient Humidity		20 to 80% RH (non-condensing)			
Vibration		24.5m/s <sup>2</sup>			
Enclosure		Totally Enclosed, Self-cooled, IP65 (Except for shaft opening and connectors)			

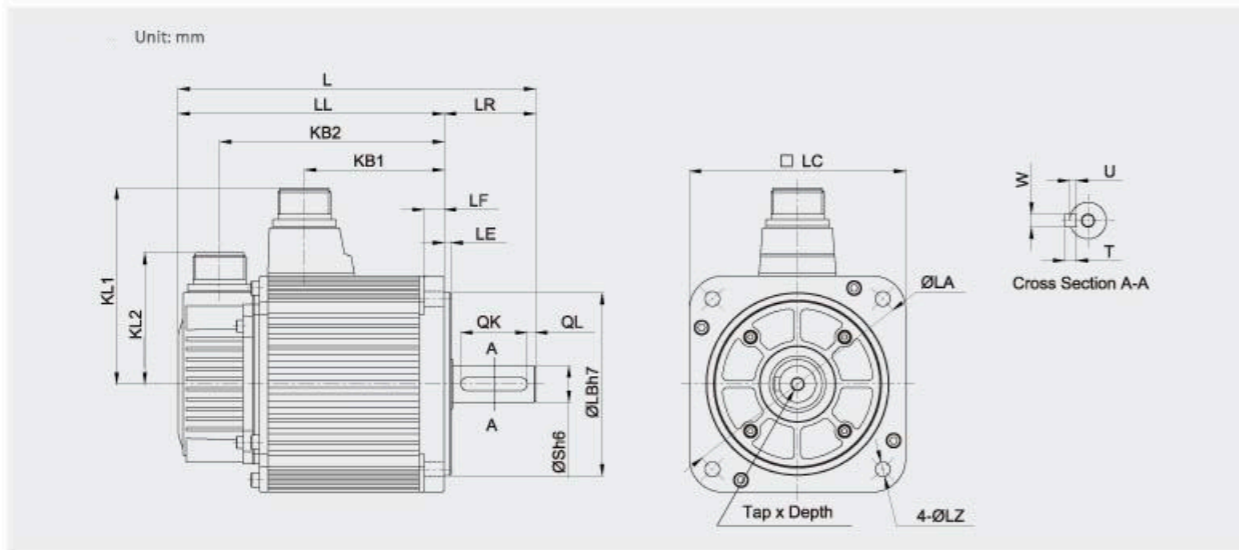
(Notes) The values in parentheses are for servomotors with holding brakes.

## Torque-Speed Feature



A: Continuous Working Area B: Repeatedly Working Area

Dimension



Model EML-	L	LL	KB1	KB2	KL1	KL2	Flange Side							S	Tap×Depth	Key				
							LR	LE	LF	LC	LA	LB	LZ			QK	QL	W	T	U
10APA□□	265(319.5)	210(264.5)	134	185(187.5)	118	79	55	4	12	130	145	110	9	22	M6×20L	40	5	8	7	4
20APA□□	332(401)	253(322)	168	228(245)	140	79	79	3.2	18	180	200	114.3	13.5	35	M8×16L	55	6	10	8	5
30APA□□	372(443)	293(364)	208	268(287)	140	79	79	3.2	18	180	200	114.3	13.5	35	M8×16L	55	6	10	8	5
40APA□□	412(478)	333(399)	243	308(322)	140	79	79	3.2	18	180	200	114.3	13.5	35	M8×16L	55	6	10	8	5

(Notes) The dimension in parentheses are for servomotors with holding brakes.

Motor Connector Specification

- Receptacle: MS3102A20-4P (LC=130)  
MS3102A22-22P (LC=180)
- Plug: MS3108B20-4S (LC=130)  
MS3108B22-22S (LC=180)
- Cable clamp: MS3057-12A



Pin No.	Signal
A	U
B	V
C	W
D	FG

Brake Connector Specification

- Receptacle: MS3102A10SL-3P
- Plug: MS3106A10SL-3S
- Cable clamp: MS3057-4A



Pin No.	Signal
A	B1
B	B2
C	-

Encoder Connector Specification

- Receptacle: MS3102A20-29P
- Plug: MS3108B20-29S
- Cable clamp: MS3057-12A



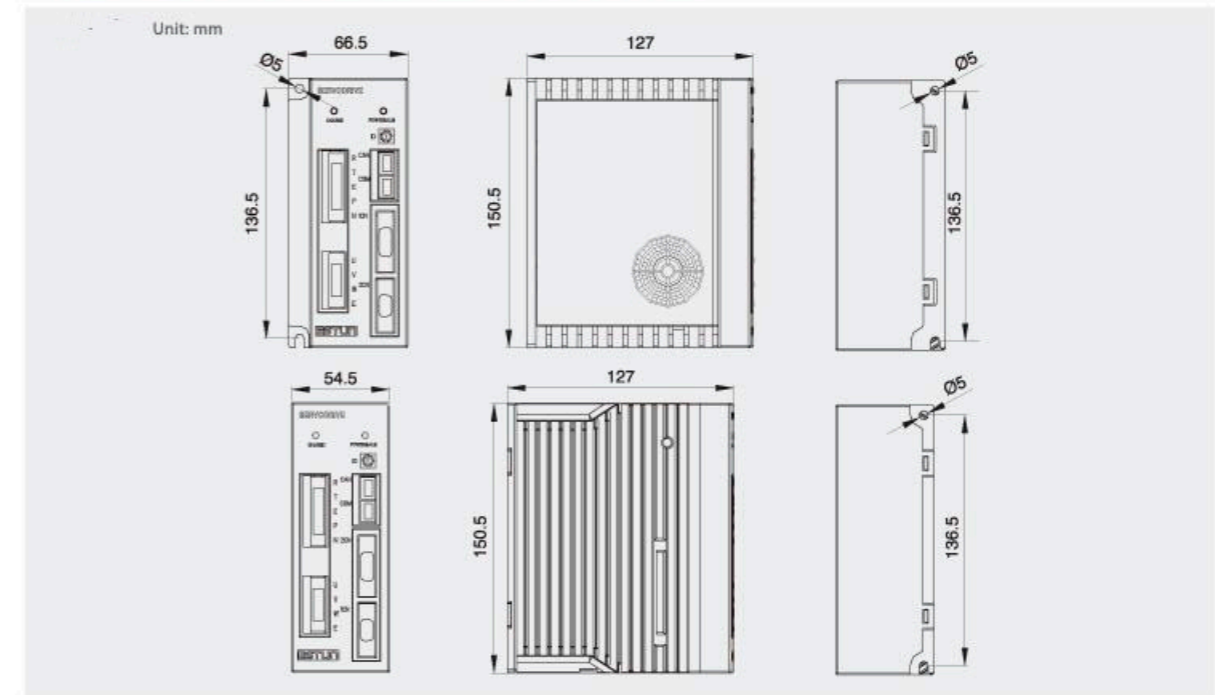
Incremental Encoder

Pin No.	Signal	Color
A	A+	Blue
B	A-	Blue/Black
C	B+	Green/Black
D	B-	Green
E	C+	Yellow
F	C-	Yellow/Black
G	PG0V	Black
H	PG5V	Red
J	FG	Shield

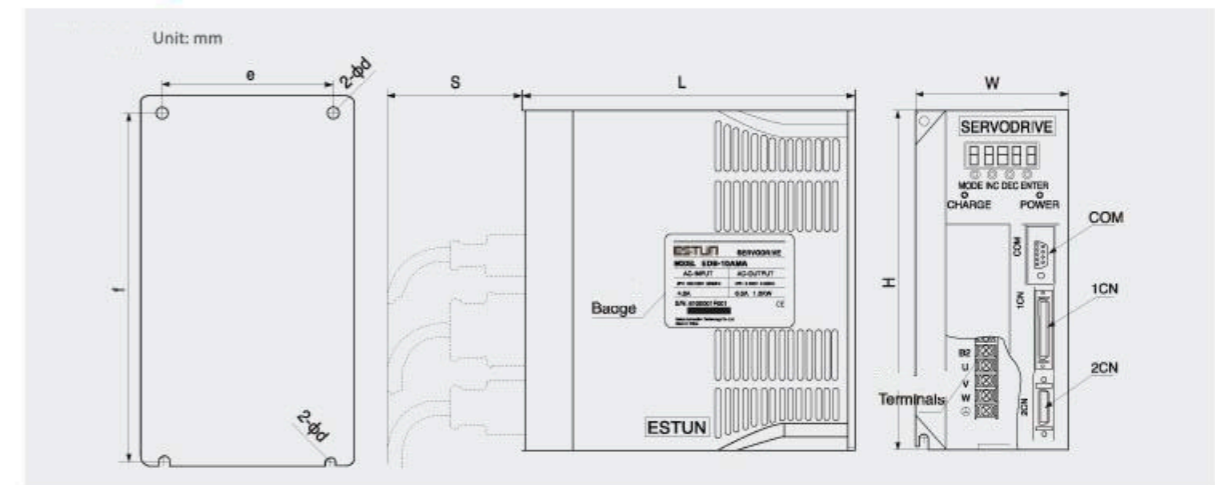
EDB/EDC

Mounting Dimension of Drives

Mounting Dimension of EDC Servo Drives



Mounting Dimension of EDB Servo Drives



Model	L	W	H	S	e	f	d
EDB-08, EDB-10, EDB-15	185	85	187.5	75	75	177.5	5
EDB-20, EDB-30, EDB-50	207	123	270.5	75	111	258.5	6
EDB'-08, EDB'-10, EDB'-15	180	100	186	75	89	175	5
EDB'-20, EDB'-30, EDB'-50	204.5	125	270.5	75	112	258.5	6