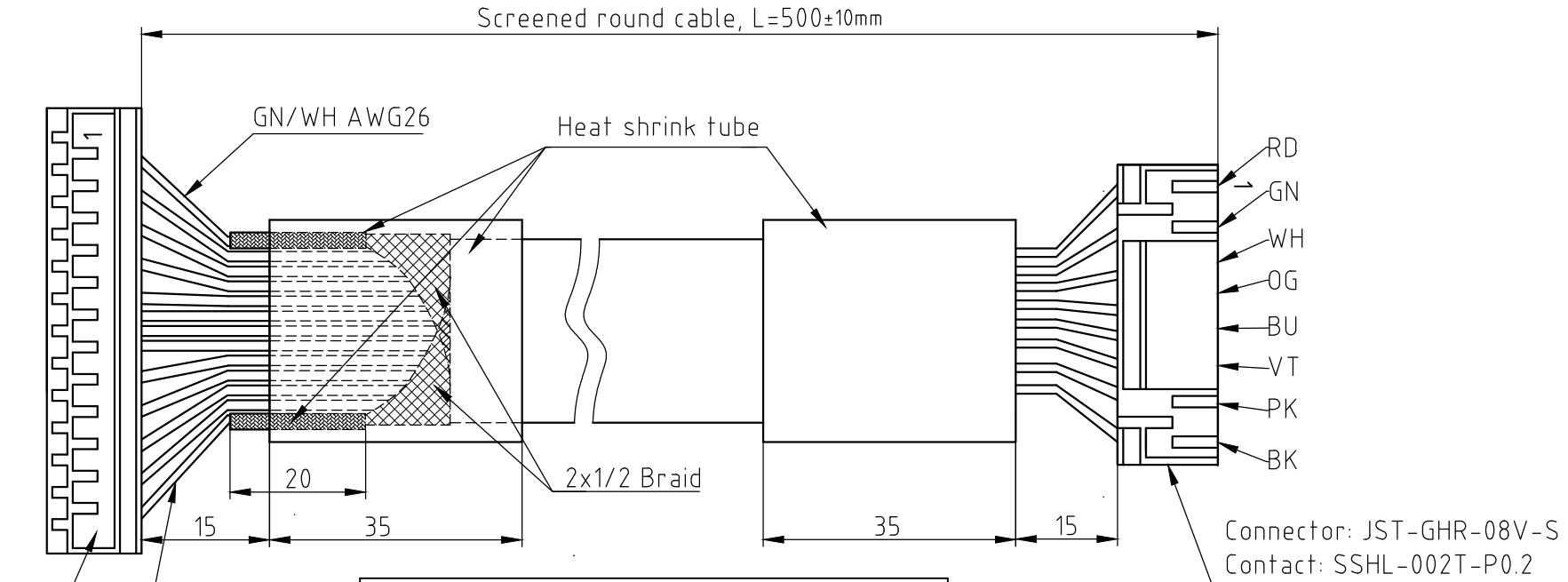


DIMENSION (UNIT : mm)



GN/WH AWG26
Connector: JST-GHR-13V-S
Contact: SSSL-002T-P0.2

PIN ASSIGNMENT JST-GHR-13V-S			
PIN NO.	COLOR	FUNCTION	
		NME1-T-UVW	NME1-T-I2C
1	GN/WH	GND	GND
2	GN	A	A
3	BN	/A	/A
4	GY	/B	/B
5	WH	B	B
6	YE	/I	/I
7	OG	I	I
8	BU	U/H1	I2C_DATA
9	PK	V/H3	I2C_SCL
10	VT	W/H2	NC
11	BK	GND	GND
12	RD	VCC	VCC
13	GN/WH	GND	GND

PIN ASSIGNMENT: JST-GHR-08V-S			
PIN NO.	COLOR	FUNCTION 1	FUNCTION 2
1	RD	Vcc	Vcc
2	GN	A	A
3	WH	B	B
4	OG	I	I
5	BU	H1	I2C_DATA
6	VT	H2	NC
7	PK	H3	I2C_SCL
8	BK	GND	GND

REV	DESCRIPTION	DATE	APVD



ZK-GHR-13-500-S-GHR

SCALE FREE	APVD	X.W	27.09.13
X ±0.5	CHKD		
1PL ±0.2	DRN	J.D.	27.09.13
2PL ±0.1	SIGNATURE		
ANGLE ±30'			

CABLE WITH GHR CONNECTOR
DWG.NO
ZK-GHR-13-500-S-GHR