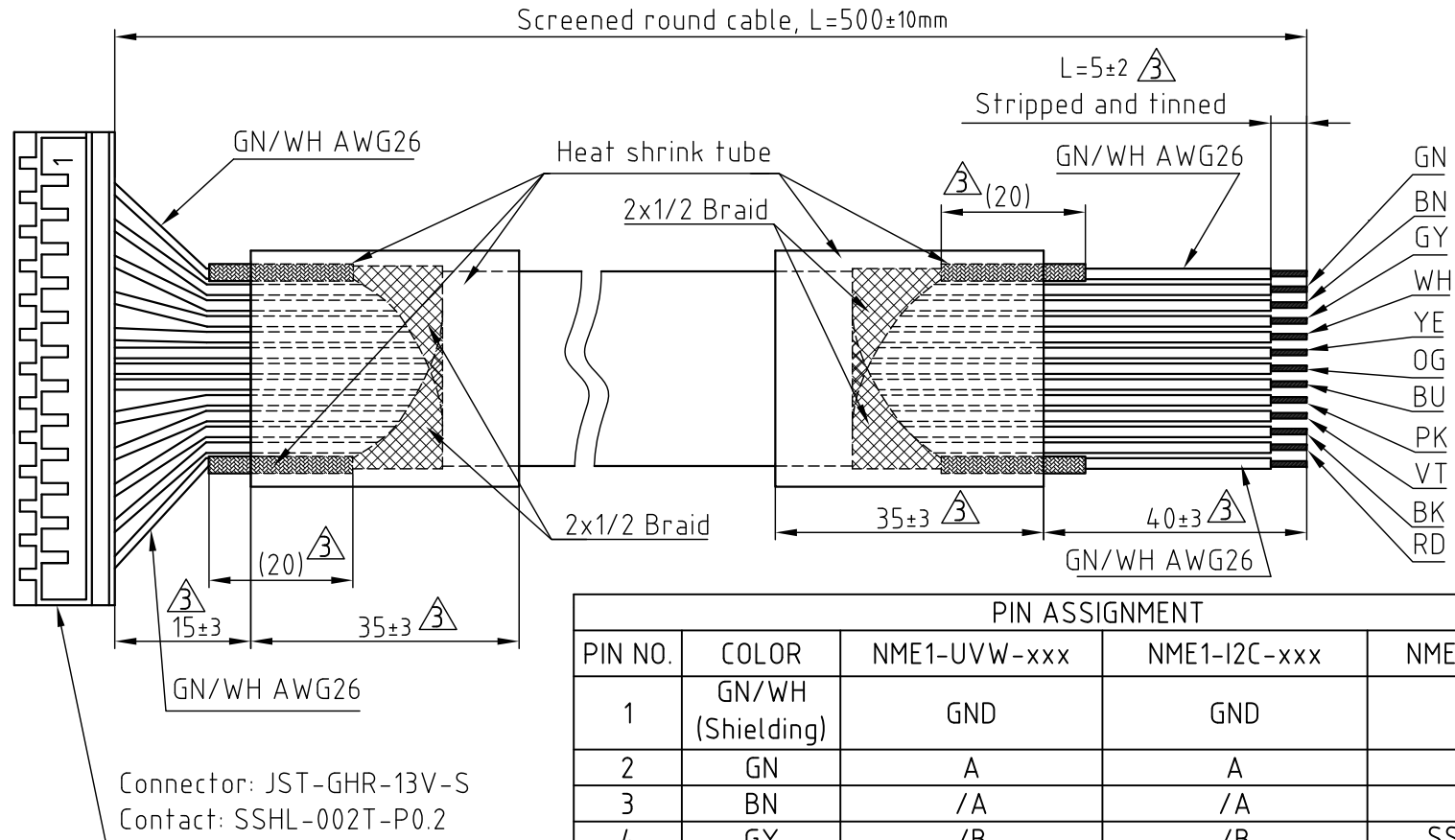


DIMENSION (UNIT : mm)



PIN ASSIGNMENT

PIN NO.	COLOR	NME1-UVW-xxx	NME1-I2C-xxx	NME1-SSI-xxx
1	GN/WH (Shielding)	GND	GND	GND
2	GN	A	A	Sine
3	BN	/A	/A	Cosine
4	GY	/B	/B	SSI_DATA
5	WH	B	B	SSI_CLK
6	YE	/I	/I	NC
7	OG	I	I	NC
8	BU	H1	I2C_DATA	NC
9	PK	H3	I2C_SCL	NC
10	VT	H2	NC	NC
11	BK	GND	GND	GND
12	RD	VCC(+5V to +24V)	VCC(+5V to +24V)	VCC(+5V to +24V)
13	GN/WH (Shielding)	GND	GND	GND

3	change tolerances	20.09.16	A.S.
2	Text remote	30.07.14	A.S.
1	NEW VALUE OF PIN ASSI.	15.11.13	J.D.
REV	DESCRIPTION	DATE	DRN

Nanotec[®]
PLUG & DRIVE

Surface specification DIN ISO 1302	General tolerances DIN ISO 2768- cH	Work piece edge DIN ISO 13715
---------------------------------------	--	----------------------------------

APVD	G.M.	16.04.13
CHKD		
DRN	A.S.	16.04.13
SIGNATURE	DATE	

ENCODERCABLE-NME1

DWG.NO
ZK-NME1-13-500-S