

Charging Capacitor

for Controllers/Drives and Motors with Integrated Controllers



DESCRIPTION

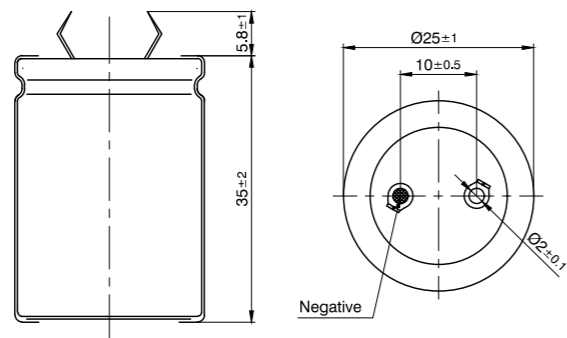
The capacitor Z-K4700/50 is designed for a phase current below 5 A, whereas the Z-K10000/100 capacitor is designed for phase currents above 5 A.

VERSIONS

| Type | Capacity μF | Lead mm | Capacitance Tolerance | Temperature Range $^{\circ}\text{C}$ | Max. Operating Voltage V | Dimensions |
|--------------|------------------------|---------|-----------------------|--------------------------------------|--------------------------|---|
| Z-K4700/50 | 4700 | 10 | $\pm 20\%$ | -40 - 85 | 50 | Cylindrical Aluminum Cup, $\varnothing 25$ mm, 35 mm Length |
| Z-K10000/100 | 10000 | 20 | $\pm 20\%$ | -40 - 85 | 100 | Cylindrical Aluminum Cup, $\varnothing 40$ mm, 95 mm Length |

DIMENSIONS (IN MM)

Z-K4700-50



Charging Capacitor

For Controllers/Drives and Motors with Integrated Controllers



DIMENSIONS (IN MM)

Z-K10000-100

